

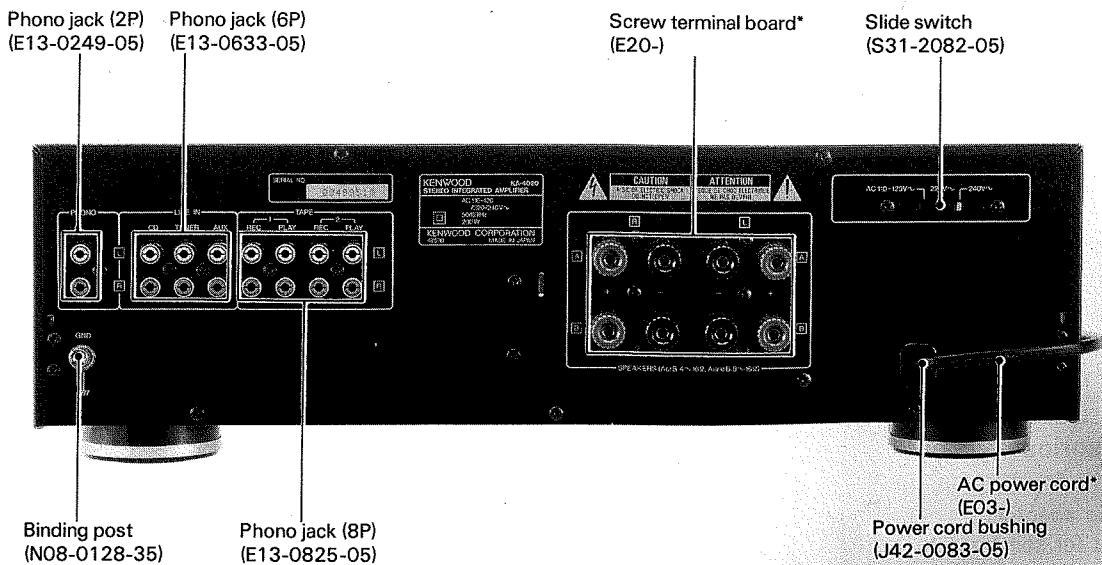
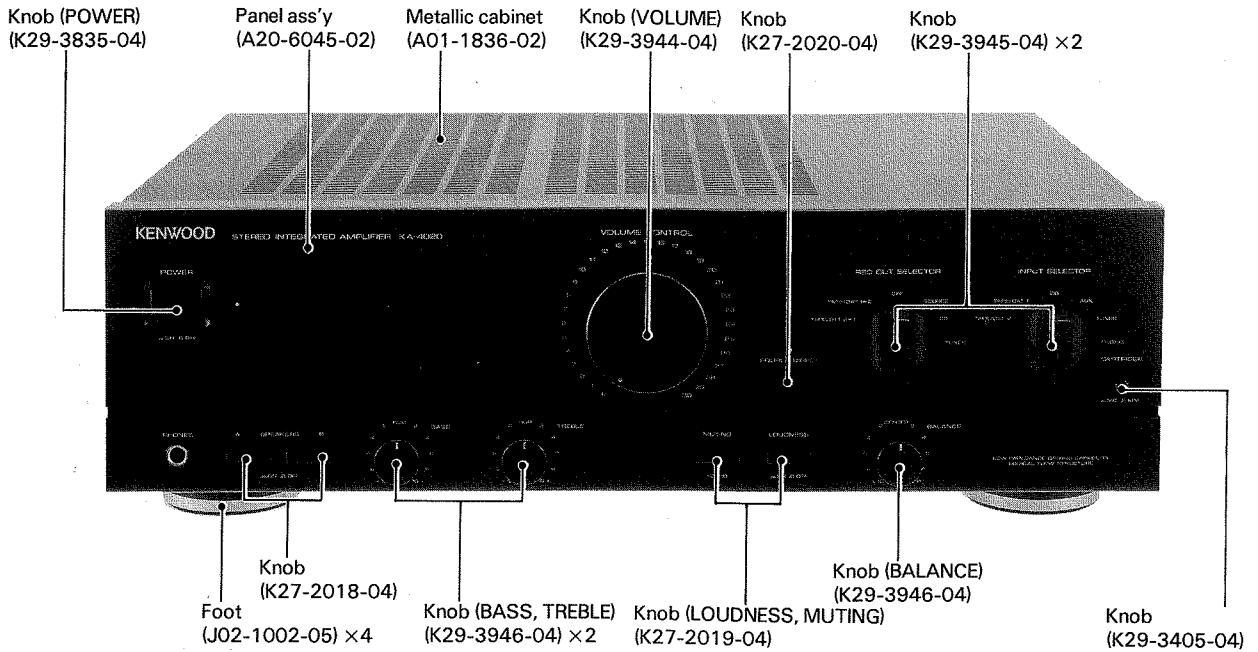
KA-4020

SERVICE MANUAL

KENWOOD

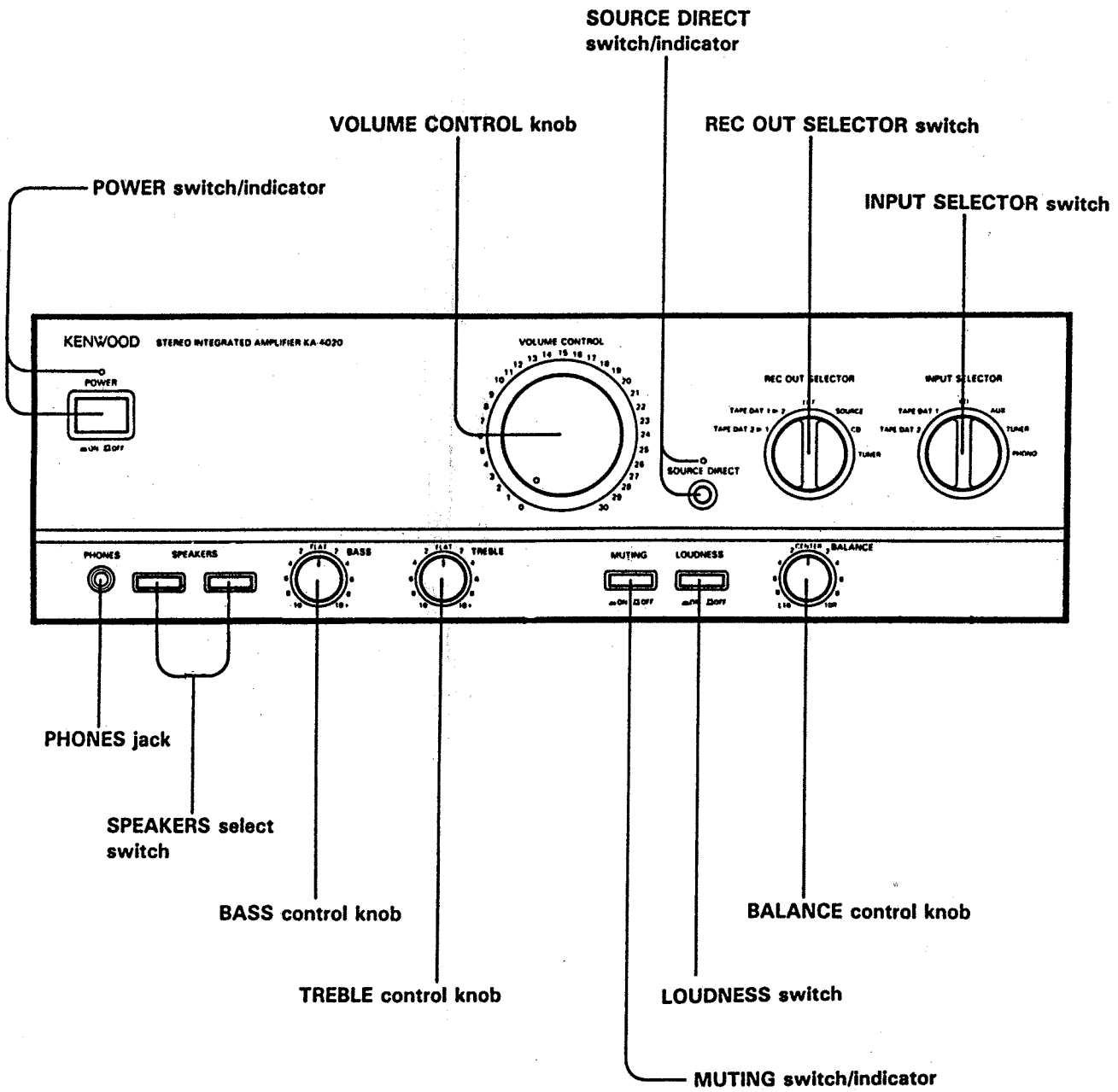
46083

©1990-5 PRINTED IN JAPAN
B51-4051-00(S)1648



* Refer to parts list on page 15.

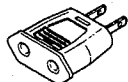
KA-4020



ACCESSORIES

Accesorios

AC plug adaptor..... 1
(except for some areas)



(E03-0115-05)

ADJUSTMENT/REGLAGES/ABGLEICH

ADJUSTMENT

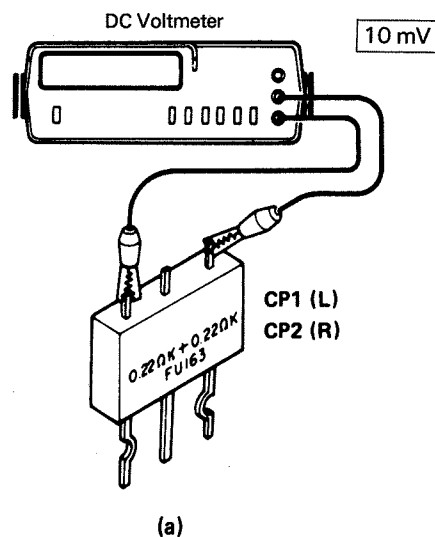
No.	ITEM	INPUT SETTINGS	OUTPUT SETTINGS	AMPLIFIER SETTING	ALIGNMENT POINTS	ALIGN FOR	FIG.
Unless otherwise specified, set the respective switches as follows: POWER: ON SPEAKER: B REC OUT: OFF SELECTOR: PHONO							
1	IDLE CURRENT	-	Connect a DC voltmeter across CP1 (L) CP2 (R) (X09-)	VOLUME: 0	VR1 (L) VR2 (R) (X09-)	10mV	(a)

REGLAGES

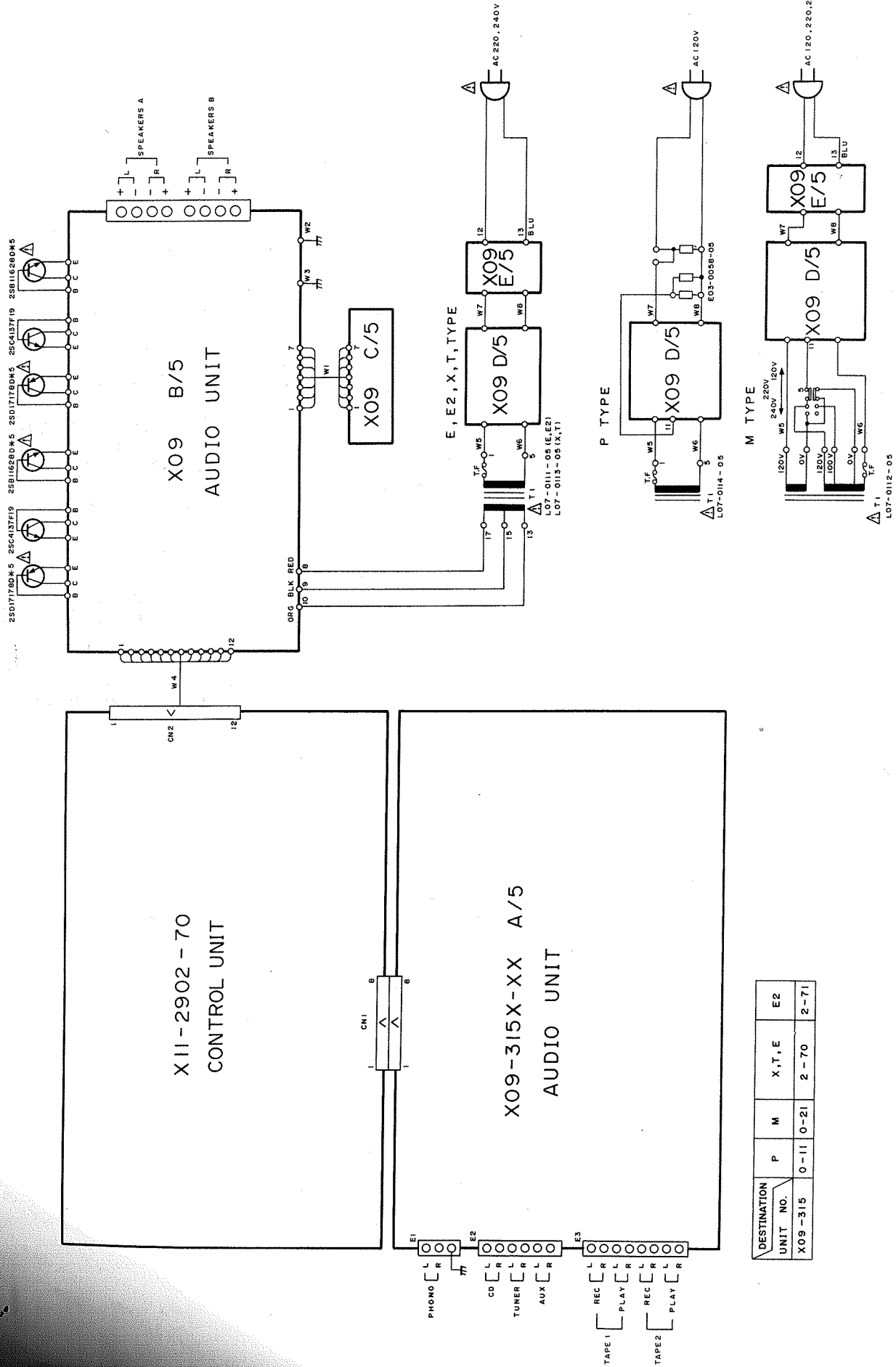
N°	ITEM	REGLAGE DE L'ENTREE	REGLAGE DE LA SORTIE	REGLAGE DE L'AMPLIFICATEUR	POINTS DE L'ALIGNMENT	ALIGNER POUR	FIG.
Sauf indication contraire, régler comme suit les commandes respectives: POWER: ON SPEAKER: B REC OUT: OFF SELECTOR: PHONO							
1	COURANT DE POLARISATION	-	Connecter un voltmètre de CC SUR CP1 (G) CP2 (D) (X09-)	VOLUME: 0	VR1 (G) VR2 (D) (X09-)	10mV	(a)

ABGLEICH

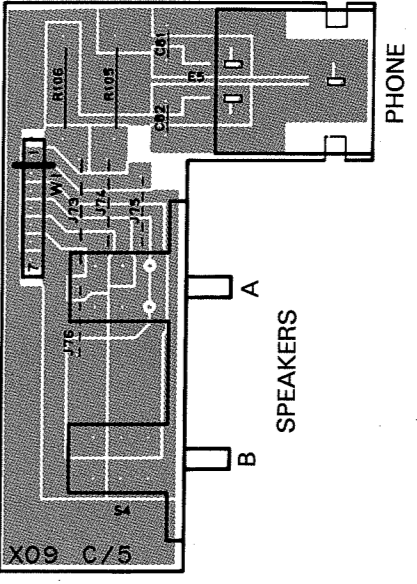
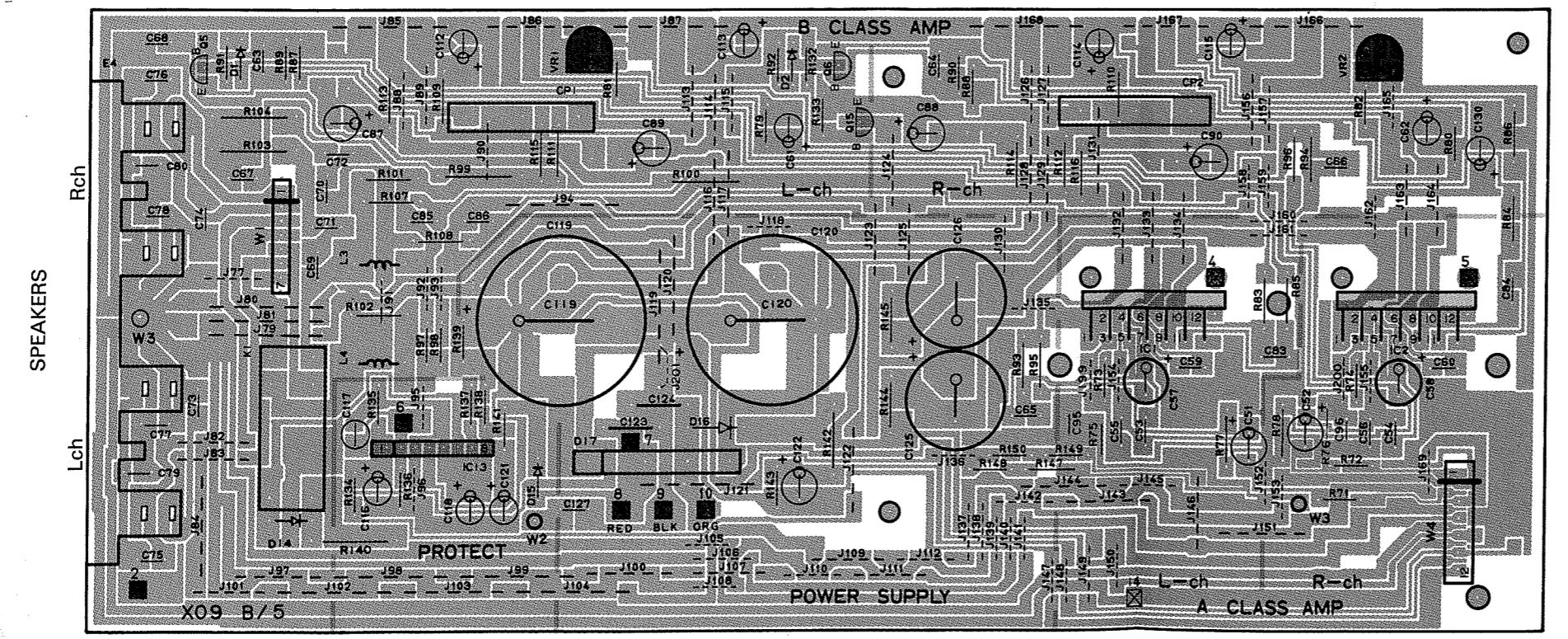
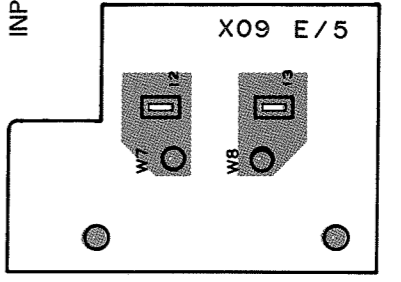
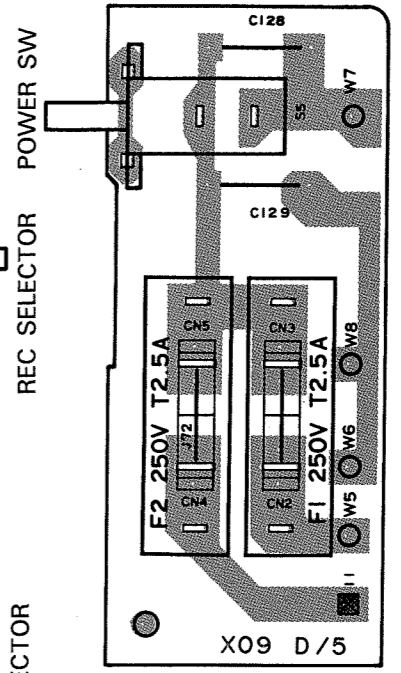
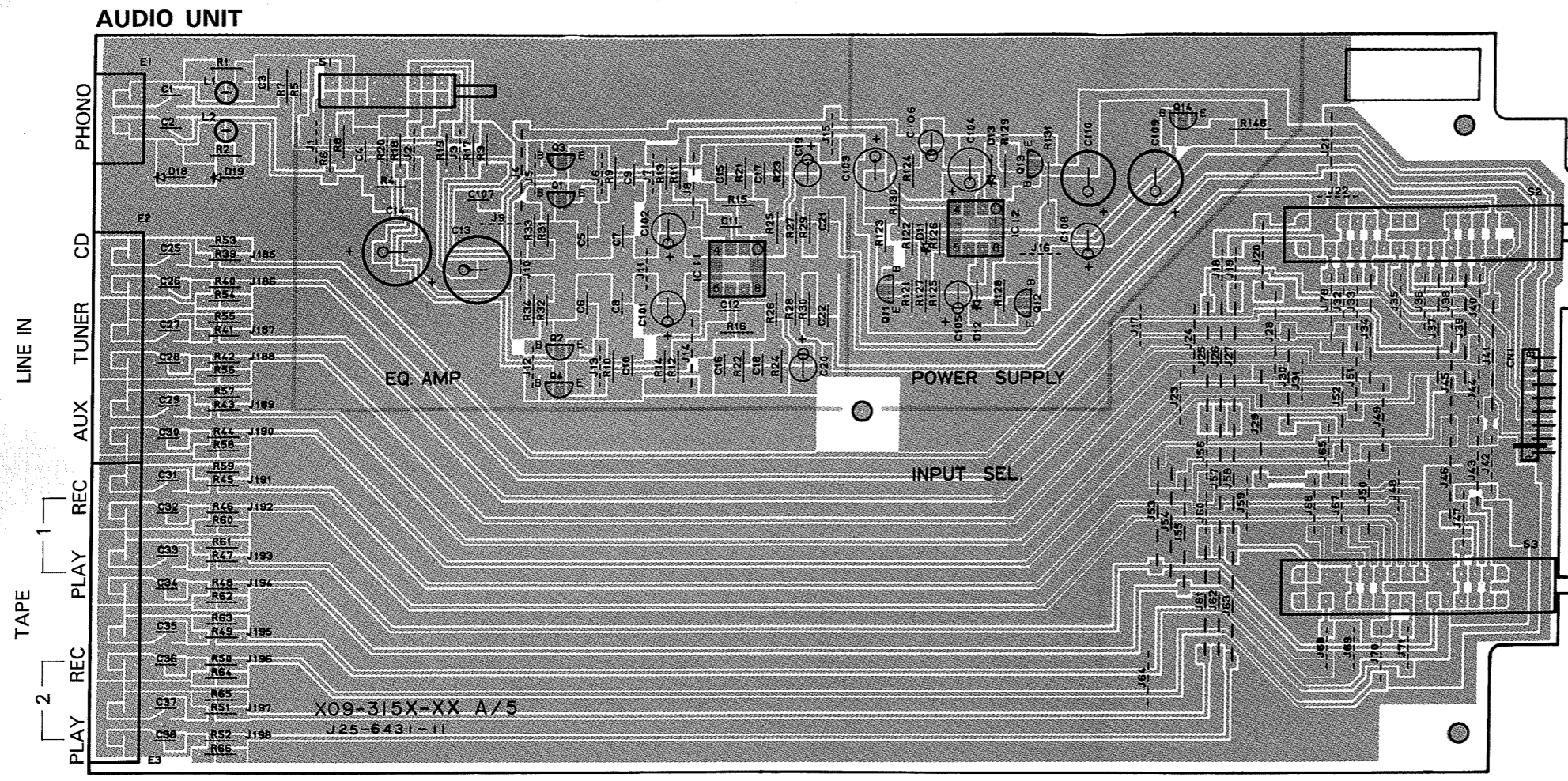
NR.	GENGENSTAND	EINGANGS-EINSTELLUNG	AUSANG-EINSTELLUNG	VORSTÄRKER-EINSTELLUNG	ABGLEICHE-PUNKTE	ABGLEICHEN FÜR	ABB.
Wenn nicht anders angegeben, die einzelnen Schalter wie folgt einstellen: POWER: ON SPEAKER: B REC OUT: OFF SELECTOR: PHONO							
1	LEERLAUFSTROM	-	Einen Gleichspannungsmesser über CP1 (L) CP2 (R) anschließen. (X09-)	VOLUME: 0	VR1 (L) VR2 (R) (X09-)	10mV	(a)



WIRING DIAGRAM



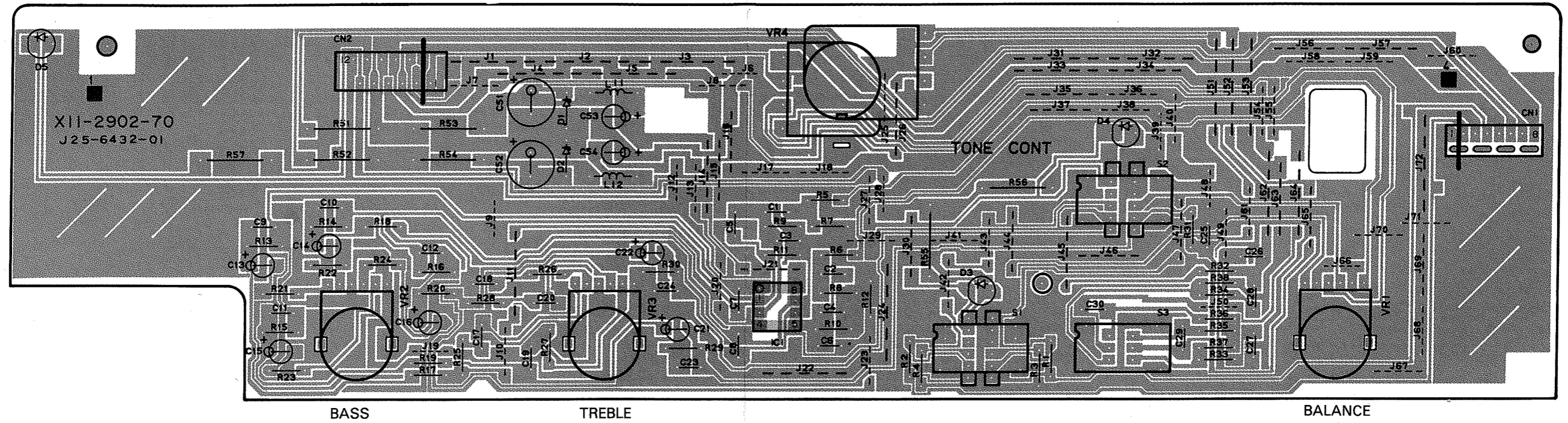
PC BOARD (Component Side View)



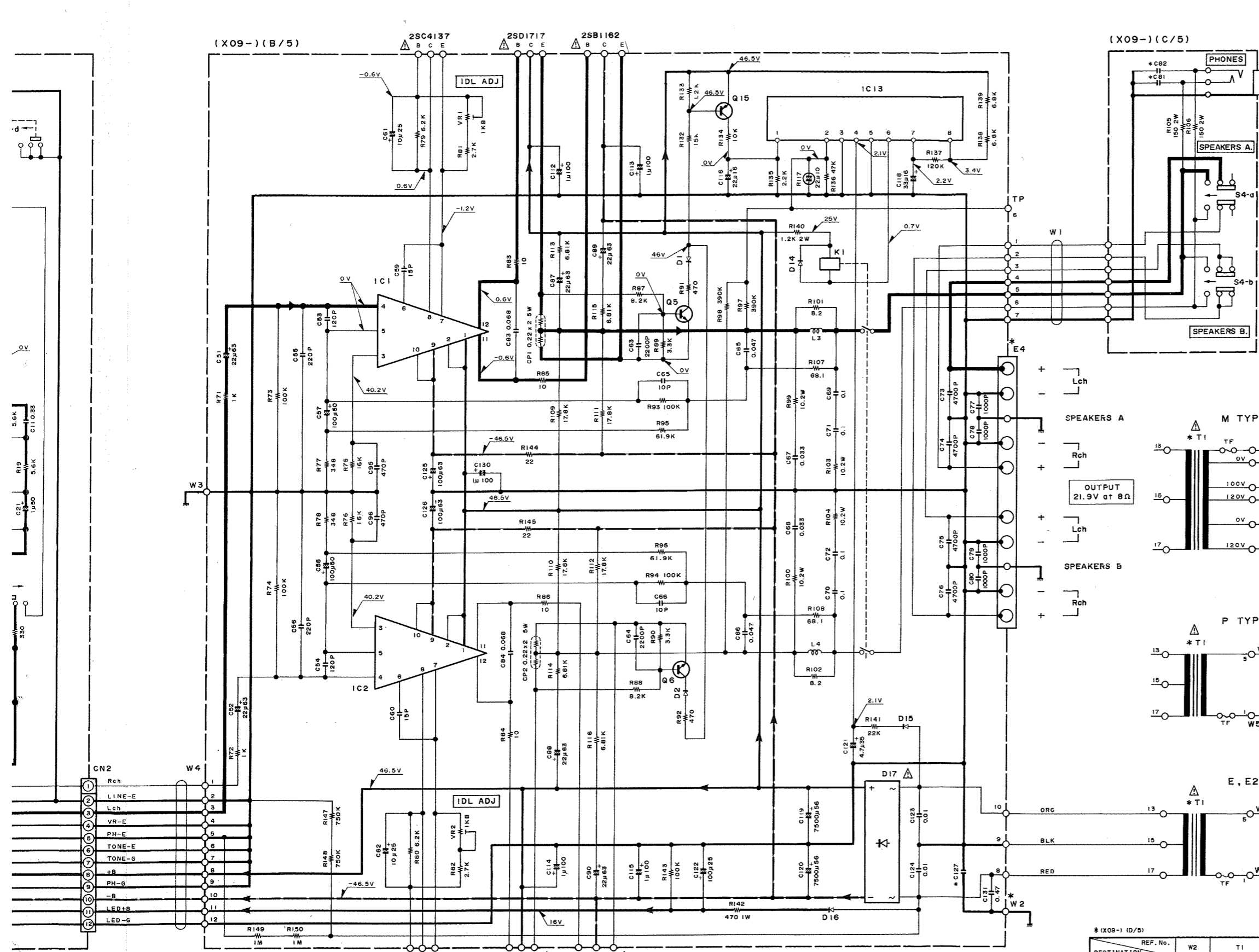
Refer to the schematic diagram for the values of resistors and capacitors.

CONTROL UNIT

VOLUME



Refer to the schematic diagram for the values of resistors and capacitors.



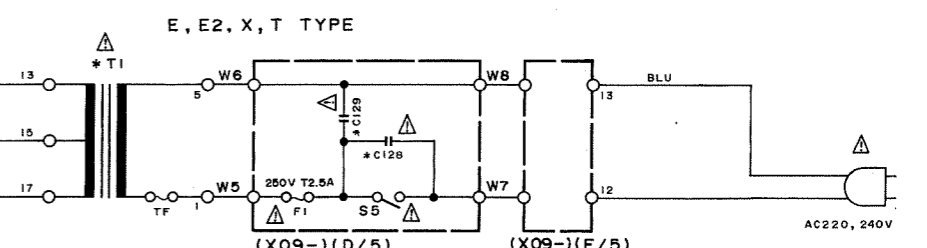
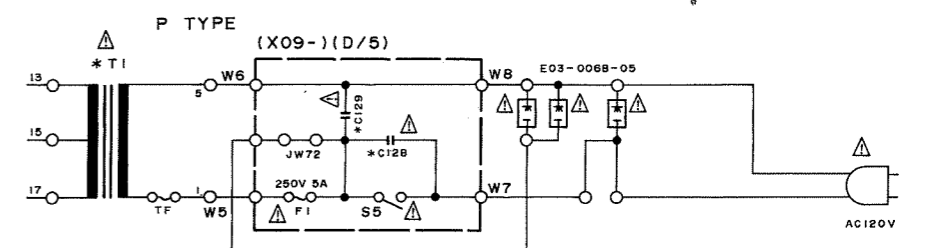
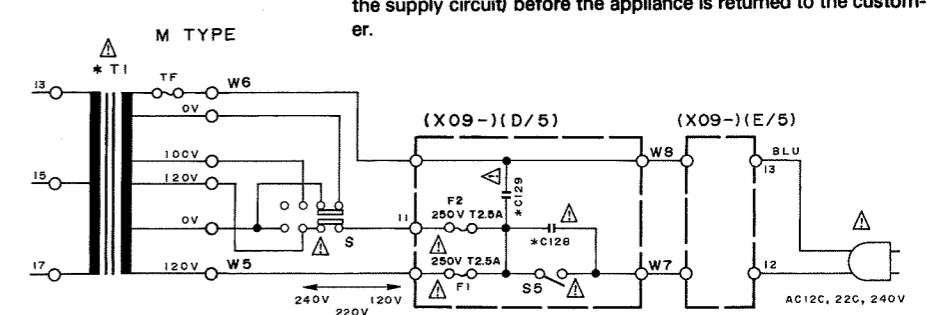
- (X09-315X-XX)
- IC1, 2 : μPC1298V
 - IC11, 12 : NJM4565D-D
 - IC13 : μPC1237HA
 - Q1~4 : 2SK170 (BL) or 2SK170 (V)
 - Q5, 6 : 2SC1845 (F, E)
 - Q11, 14 : 2SA733 (A) (Q, P) or 2SA933S (Q, R)
 - Q12 : 2SD882 (Q, P)
 - Q13 : 2SB772 (Q, P)
 - Q15 : 2SA992 (F, E)
 - D1, 2, 14, 15 : HSS104A or ISS131
 - D11 : HZ85.1S (B2) or RD5.1JS (B2)
 - D12, 13 : HZ815S (B) or RD15JS (B)
 - D16 : S5568B
 - D17 : D58BA20F03 or RBV-602LFA
 - D18, 19 : HSS104 or ISS133

DC voltages are as measured with a high impedance voltmeter. Values may vary slightly due to variations between individual instruments or/and units.

Les tensions c.c. doivent être mesurées avec un voltmètre à haute impédance. Les valeurs peuvent différer légèrement du fait des variations inhérentes aux appareils et aux instruments de mesure individuels.

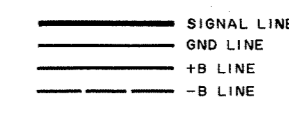
Die angegebenen Gleichspannungswerte wurden mit einem hochohmigen Spannungsmesser gemessen. Dabei schwanken die Meßwerte aufgrund von Unterschieden zwischen einzelnen Instrumenten oder Geräten u. U. geringfügig.

CAUTION: For continued safety, replace safety critical components only with manufacturer's recommended parts (refer to parts list). **⚠** Indicates safety critical components. To reduce the risk of electric shock, leakage-current or resistance measurements shall be carried out (exposed parts are acceptably insulated from the supply circuit) before the appliance is returned to the customer.



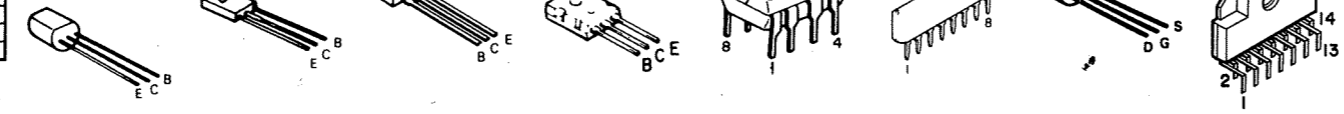
* (X09-) (D/5)

DESTINATION	REF. No.	W2	T1	C128, 129
E, E2	YES	L07-0111-05	C91-1421-05	C91-1421-05
X, T	NO	L07-0113-05	C91-1421-05	C91-1421-05
M	NO	L07-0112-05	C91-1421-05	C91-1421-05
P	NO	L07-0114-05	C91-0571-05	C91-0571-05



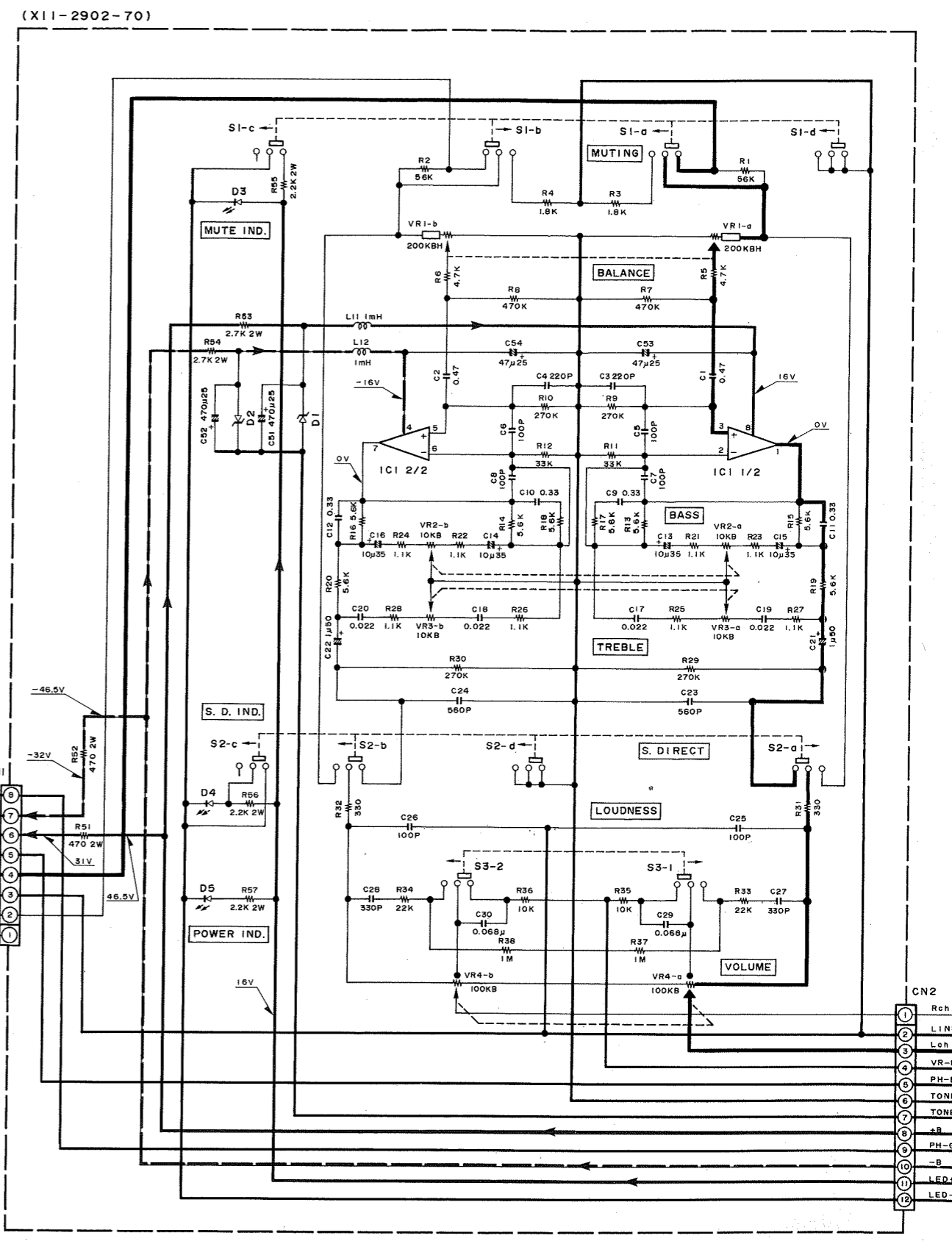
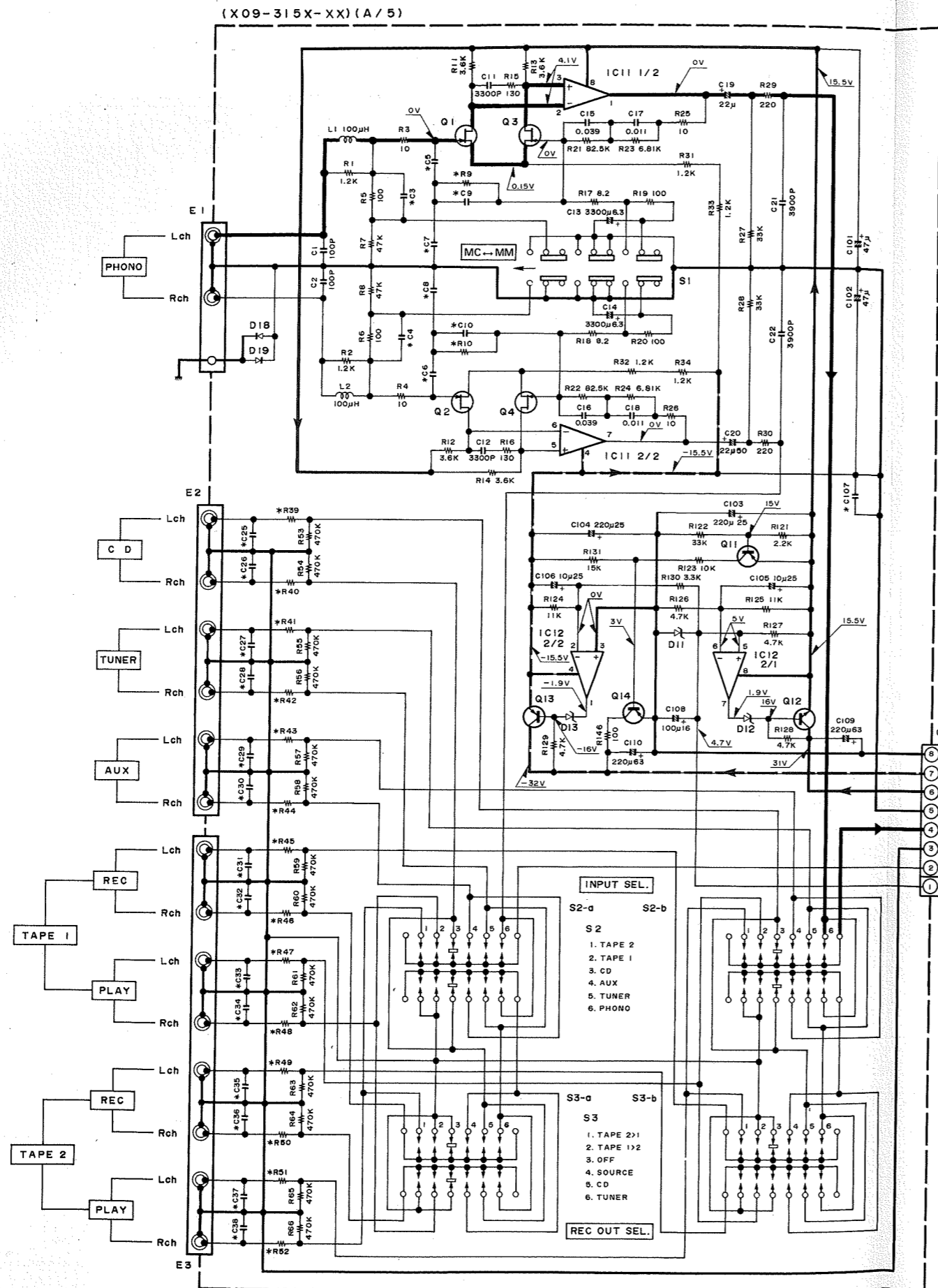
-B	C9, 10	C25~38	C81, 82	C107, 127	E4	W7	W8
0	NO	NO	NO	NO	E20-0839-05	E31-7612-05	E31-7792-05
0	NO	NO	NO	NO	E20-0839-05	E31-7011-05	E31-7791-05
00p	39p	150p	1000p	0.01	E20-0839-05	E31-7011-05	E31-7791-05
00p	39p	150p	1000p	0.01	E20-0840-05	E31-7011-05	E31-7791-05

- 2SA733(A)
- 2SA992
- 2SC1845
- 2SC4137
- 2SB772
- 2SD882
- 2SA933S
- 2SB1162
- 2SB1162BD*5
- 2SD1717BD*5
- NJM4565D-D
- UPC1237HA
- 2SK170
- UPC1298V



Y08-4161-01

KA-4020
KENWOOD

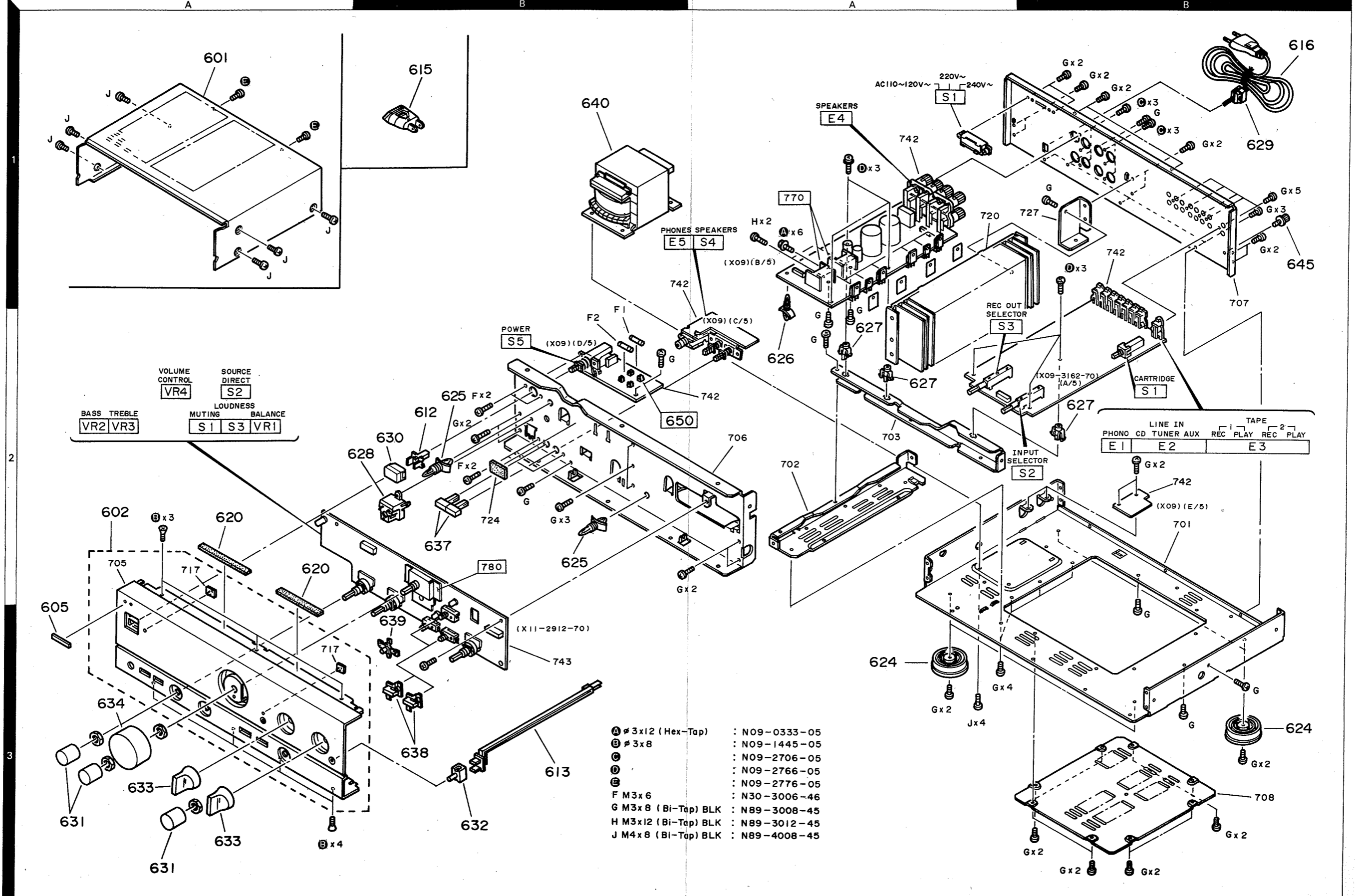


(X11-2902-70)
IC1 : NJM4555D
D1, 2 : HZS16N (B2) or RD16ES (B2)
D3-5 : B30-1291-05

(X09-315X-XX)

DESTINATION	REF. No.	R9, 10	R39-52	C3, 4	C5-8	C9, 10	C25-38	C81, 82
P	0-11	NO	NO	NO	NO	NO	NO	NO
M	0-21	NO	NO	NO	NO	NO	NO	NO
X, T, E	2-70	430	150	470p	1200p	39p	150p	1000p
E2	2-71	430	150	470p	1200p	39p	150p	1000p

EXPLODED VIEW



Parts with the exploded numbers larger than 700 are not supplied.

PARTS LIST

× New Parts

Parts without Parts No. are not supplied.

Les articles non mentionnés dans le Parts No. ne sont pas fournis.

Teile ohne Parts No. werden nicht geliefert.

Ref. No. 参照番号	Address 位置	New Parts 新	Parts No. 部品番号	Description 部品名 / 規格	Desti- nation 仕 向	Re- marks 備考
KA-4020						
601	1A	*	A01-1836-02	METALLIC CABINET		
602	2A, 3A	*	A20-6045-02	PANEL ASSY		
605	3A		B43-0287-04	KENWOOD BADGE		
-			B46-0096-13	WARRANTY CARD	X	
-			B46-0121-03	WARRANTY CARD	P	
-			B46-0122-13	WARRANTY CARD	EE2	
-			B46-0143-13	WARRANTY CARD	T	
-			B58-0803-13	CAUTION CARD	E	
-		*	B60-0136-00	INSTRUCTION MANUAL (ENGLISH)		
-		*	B60-0137-00	INSTRUCTION MANUAL (FRENCH)	EE2MP	
-		*	B60-0138-00	INSTRUCTION MANUAL (GE, DU, IT)	EE2	
-		*	B60-0139-00	INSTRUCTION MANUAL (SPA, CHA)	M	
612	2B		D21-1448-14	EXTENSION SHAFT		
613	3B	*	D21-1618-03	EXTENSION SHAFT		
△ 615	1B		E03-0115-05	AC PLUG ADAPTER	M	
△ 616	1D		E30-0459-05	AC POWER CORD	EE2M	
△ 616	1D		E30-0974-05	AC POWER CORD	P	
△ 616	1D		E30-1341-05	AC POWER CORD	X	
△ 616	1D		E30-1416-05	AC POWER CORD	T	
△ -			E03-0068-05	AC OUTLET	P	
620	2A, 3A		G11-0155-14	SOFT TAPE (40X9X2)		
-		*	H01-8807-04	ITEM CARTON CASE		
-		*	H10-5014-02	POLYSTYRENE FOAMED FIXTURE		
-		*	H10-5015-02	POLYSTYRENE FOAMED FIXTURE		
-			H25-0225-04	PROTECTION BAG (850X450X0.03)		
-			H25-0232-04	PROTECTION BAG (235X350X0.03)		
624	3C, 3D		J02-1002-05	FOOT		
625	2B		J19-0506-05	UNIT HOLDER		
626	2C		J19-0514-05	UNIT HOLDER		
627	2C, 2D		J19-3179-05	UNIT HOLDER		
628	2B	*	J19-3296-03	HOLDER		
△ 629	1D		J42-0083-05	POWER CORD BUSHING		
-			J61-0307-05	WIRE BAND		
630	2B		K29-3835-04	KNOB (POWER)		
631	3A	*	K29-3946-04	KNOB (BASS, TREBLE, BALANCE)		
632	3B		K29-3405-04	KNOB (CARTRIDGE)		
633	3A	*	K29-3945-04	KNOB (RECOUT SEL, INPUT SEL)		
634	3A	*	K29-3944-04	KNOB (MAIN VOLUME)		
637	2B	*	K27-2018-04	KNOB (SPEAKERS)		
638	3B	*	K27-2019-04	KNOB (LOUDNESS, MUTING)		
639	3B	*	K27-2020-04	KNOB (SOURCE DIRECT)		
△ 640	1B	*	L07-0111-05	POWER TRANSFORMER	EE2	
△ 640	1B	*	L07-0112-05	POWER TRANSFORMER	M	
△ 640	1B	*	L07-0113-05	POWER TRANSFORMER	XT	
△ 640	1B	*	L07-0114-05	POWER TRANSFORMER	P	
645	1D		N08-0128-35	BINDING POST (EARTH)		
A	1C		N09-0333-05	TAPPING SCREW (3X12)		
B	2A, 3A		N09-1445-05	SET SCREW (M3X8)		
C	1D		N09-2706-05	TAPTITE SCREW		
D	1D	*	N09-2766-05	MACHINE SCREW (3X8)		

E: Europe K: USA P: Canada
 Y: PX (Far East, Hawaii) T: England M: Other Areas
 Y: AAFES (Europe) X: Australia E2: Scandinavia

△ indicates safety critical components.

PARTS LIST

× New Parts

Parts without Parts No. are not supplied.

Les articles non mentionnés dans le Parts No. ne sont pas fournis.

Teile ohne Parts No. werden nicht geliefert.

Ref. No. 参照番号	Address 位置	New Parts 新	Parts No. 部品番号	Description 部品名 / 規格	Desti- nation 仕 向	Re- marks 備考
E	1A		N09-2776-05	SEMS (TAPTITE SCREW)		
F	2B		N30-3006-46	PAN HEAD MACHINE SCREW		
G	1D, 2B		N89-3008-45	BINDING HEAD TAPTITE SCREW		
J	1A, 3C		N89-4008-45	BINDING HEAD TAPTITE SCREW		
△ S1	1C		S31-2082-05	SLIDE SWITCH		M
Q33 ,34			2SC4137F19(V,W)	TRANSISTOR		
Q35 -38			2SD1717BD*5	TRANSISTOR		
Q39 -42			2SB1162BD*5	TRANSISTOR		
AUDIO UNIT (X09-3150-11: P, 0-21: M, 2-70: X, T, E, 2-71: E2)						
C1 ,2			CF92FV1H101K	MF	100PF	K
C3 ,4			CF92FV1H471J	MF	470PF	J
C5 -8			CF92FV1H122J	MF	1200PF	J
C9 ,10			CC45FSL1H390J	CERAMIC	39PF	J
C11 ,12			CF92FV1H332J	MF	3300PF	J
C13 ,14			CE04KW0J332M	ELECTRO	3300UF	6.3WV
C15 ,16			CF92FV1H393J	MF	0.039UF	J
C17 ,18			CF92FV1H113J	MF	0.011UF	J
C19 ,20			CE04KW1H220M	ELECTRO	22UF	50WV
C21 ,22			CF92FV1H392J	MF	3900PF	J
C25 -38			CF92FV1H151K	MF	150PF	K
C51 ,52			C90-1806-05	ELECTRO	10UF	50WV
C53 -56			CF92FV1H121K	MF	120PF	K
C57 ,58			C90-1783-05	ELECTRO	100UF	50WV
C59 ,60			C91-0168-05	POLYSTY	15PF	K
C61 ,62			CE04KW1E100M	ELECTRO	10UF	25WV
C63 ,64			CK45FB1H222K	CERAMIC	2200PF	K
C65 ,66			C91-0166-05	POLYSTY	10PF	D
C67 ,68			CF92FV1H333J	MF	0.033UF	J
C69 -72			CF92FV1H104J	MF	0.10UF	J
C73 -76			CF92FV1H472J	MF	4700PF	J
C77 -80			CK45FB1H102K	CERAMIC		
C77 -82			CK45FB1H102K	CERAMIC		
C83 ,84			CF92FV1H683J	MF	0.068UF	J
C85 ,86			CF92FV1H473J	MF	0.047UF	J
C87 -90		*	CE04KW1J220M	ELECTRO	22UF	63WV
C95 ,96			CF92FV1H471J	MF	470PF	J
C101,102			CE04KW1H470M	ELECTRO	47UF	50WV
C103,104			CE04KW1E221M	ELECTRO	220UF	25WV
C105,106			CE04KW1E100M	ELECTRO	10UF	25WV
C107			CF92FV1H103J	MF	0.010UF	J
C108			CE04KW1C101M	ELECTRO	100UF	16WV
C109,110			CE04KW1J221M	ELECTRO	220UF	63WV
C112-115			CE04KW2A010M	ELECTRO	1.0UF	100WV
C116			CE04KW1C220M	ELECTRO	22UF	16WV
C117			C90-1333-05	NP-ELEC	22UF	10WV
C118			CE04KW1C330M	ELECTRO	33UF	16WV
C119,120		*	C90-1824-05	ALMINIUM ELECTROLYTIC C.		
C121			CE04KW1V4R7M	ELECTRO	4.7UF	35WV
C122			CE04KW1E101M	ELECTRO	100UF	25WV
C123,124			CK45FE2H103P	CERAMIC	0.010UF	P
C125,126		*	CE04KW1J102M	ELECTRO	1000UF	63WV
C127			CF92FV1H103J	MF	0.010UF	J
△ C128,129			C91-0971-05	FILM	0.01UF	250WV
△ C128,129		*	C91-1421-05	FILM	0.01UF	250AC

*in EDV mit
* eingetrag.*

E: Europe K: USA P: Canada
 Y: PX (Far East, Hawaii) T: England M: Other Areas
 Y: AAFES (Europe) X: Australia E2: Scandinavia

△ indicates safety critical components.

PARTS LIST

× New Parts

Parts without Parts No. are not supplied.

Les articles non mentionnés dans le Parts No. ne sont pas fournis.

Teile ohne Parts No. werden nicht geliefert.

Ref. No. 参照番号	Address 位置	New Parts 新	Parts No. 部品番号	Description 部品名 / 規格	Desti- nation 仕 向	Re- marks 備考
C130			CE04KW2A010M	ELECTRO 1.0UF 100WV		
E1			E13-0249-05	PHONE JACK (PHONE)		
E2			E13-0633-05	PHONE JACK (6P)(CD, TUNER, AUX)		
E3			E13-0825-05	PHONE JACK (TAPE1, TAPE2)		
E4		*	E20-0839-05	SCREW TERMINAL BOARD(SPEAKERS)	EMXTP	
E4		*	E20-0840-05	SCREW TERMINAL BOARD(SPEAKERS)	E2	
E5			E11-0189-05	PHONE JACK (PHONE)		
F1			F05-2525-05	FUSE (SEMKO) (250V T2.5A)	EE2XT	
F1			F06-5022-05	FUSE (UL) (250V 5A)	P	
F1 ,2			F05-2525-05	FUSE (SEMKO) (250V T2.5A)	M	
650	2B		J13-0041-05	FUSE CLIP	P	
CN2 -5			J13-0075-05	FUSE CLIP	M	
CN2 ,3			J13-0075-05	FUSE CLIP	EE2XT	
L1 ,2			L40-1011-47	SMALL FIXED INDUCTOR(100UH,K)		
L3 ,4			L39-0085-05	PHASE-COMPENSATION COIL		
G	1C		N89-3008-45	BINDING HEAD TAPTITE SCREW		
H	1C		N89-3012-45	BINDING HEAD TAPTITE SCREW		
CP1 ,2			R90-0187-05	MULTI-COMP 0.22X2 K 5W		
R21 ,22			RN14BK2C8252FTS	RN 82.5K F 1/6W		
R23 ,24			RN14BK2C6811FTS	RN 6.81K F 1/6W		
R73 ,74			RN14BK2C1003FTS	RN 100K F 1/6W		
R77 ,78			RN14BK2C3480FTS	RN 348.0 F 1/6W		
R83 -86			RD14AB2E100JTS	FL-PROOF RD 10 J 1/4W		
R93 ,94			RN14BK2E1003FTS	RN 100K F 1/4W		
R95 ,96		*	RN14BK2E6192FTS	RN 61.9K F 1/4W		
R99 ,100			RS14DB3D100JTE	FL-PROOF RS 10 J 2W		
R101,102			RD14AB2E8R2JTS	FL-PROOF RD 8.2 J 1/4W		
R103,104			RS14DB3D100JTE	FL-PROOF RS 10 J 2W		
R105,106			RS14DB3D151JTE	FL-PROOF RS 150 J 2W		
R107,108		*	RN14BK2E68R1FTS	RN 68.1 F 1/4W		
R109-112			RN14BK2E1782FTS	RN 17.8K F 1/4W		
R113-116			RN14BK2E6811FTS	RN 6.81K F 1/4W		
R140			RS14DB3D122JTE	FL-PROOF RS 1.2K J 2W		
R142			RS14DB3A471JTE	FL-PROOF RS 470 J 1W		
R144,145			RD14AB2E220JTS	FL-PROOF RD 22 J 1/4W		
R146			RD14AB2E101JTS	FL-PROOF RD 100 J 1/4W		
VR1 ,2			R12-1083-05	TRIM POT. 1K		
K1			S51-2092-05	MAGNETIC RELAY		
S1			S40-6035-05	PUSH SWITCH (CARTRIDGE)		
S2 ,3		*	S29-4021-05	ROTARY SWITCH(REC SEL, INP SEL)		
S4			S42-2138-05	MULTIPLE PUSH SWITCH(SPEAKERS)		
S5		*	S40-1154-05	PUSH SWITCH (POWER SW)		
D1 ,2			HSS104A	DIODE		
D1 ,2			1SS131	DIODE		
D11			HZS5.1S(B2)	ZENER DIODE		
D11			RD5.1JS(B2)	ZENER DIODE		
D12 ,13			HZS15S(B)	ZENER DIODE		
D12 ,13			RD15JS(B)	ZENER DIODE		
D14 ,15			HSS104A	DIODE		
D14 ,15			1SS131	DIODE		
D16			S5566B	DIODE		
D17			D5SBA20F03	DIODE		

E: Europe K: USA P: Canada
 Y: PX (Far East, Hawaii) T: England M: Other Areas
 Y: AAFES (Europe) X: Australia E2: Scandinavia

⚠ indicates safety critical components.

PARTS LIST

× New Parts

Parts without Parts No. are not supplied.

Les articles non mentionnés dans le Parts No. ne sont pas fournis.

Teile ohne Parts No. werden nicht geliefert.

Ref. No. 参照番号	Address 位置	New Parts 新	Parts No. 部品番号	Description 部品名 / 規格	Desti- nation 仕 向	Re- marks 備考
D17			RBV-602LFA	DIODE		
D18 ,19			HSS104	DIODE		
D18 ,19			1SS133	DIODE		
IC1 ,2			UPC1298V	IC(POWER AMP DRIVER)		
IC11,12			NJM4565D-D	IC(OP AMP X2)		
IC13			UPC1237HA	IC(POWER AMP)		
Q1 -4			2SK170(BL)	FET		
Q1 -4			2SK170(V)	FET		
Q5 ,6			2SC1845(F,E)	TRANSISTOR		
Q11			2SA733(A)(Q,P)	TRANSISTOR		
Q11			2SA933S(Q,R)	TRANSISTOR		
Q12			2SD882(Q,P)	TRANSISTOR		
Q13			2SB772(Q,P)	TRANSISTOR		
Q14			2SA733(A)(Q,P)	TRANSISTOR		
Q14			2SA933S(Q,R)	TRANSISTOR		
Q15			2SA992(F,E)	TRANSISTOR		
CONTROL UNIT (X11-2902-70)						
D3 -5			B30-1291-05	LED		
C1 ,2			CF92FV1H334J	MF 0.33UF J		
C3 -8			CF92FV1H101K	MF 100PF K		
C9 -12			CF92FV1H334J	MF 0.33UF J		
C13 -16			CE04KW1V100M	ELECTRO 10UF 35WV		
C17 -20			CF92FV1H223J	MF 0.022UF J		
C21 ,22			CE04KW1H010M	ELECTRO 1.0UF 50WV		
C23 ,24			CK45FB1H561K	CERAMIC 560PF K		
C25 ,26			CC45FSL1H101J	CERAMIC 100PF J		
C27 ,28			CF92FV1H331K	MF 330PF K		
C29 ,30			CF92FV1H683J	MF 0.068UF J		
C51 ,52			CE04DW1E471M	ELECTRO 470UF 25WV		
C53 ,54			CE04KW1E470M	ELECTRO 47UF 25WV		
L11 ,12			L40-1021-14	SMALL FIXED INDUCTOR(1.0MH,K)		
R51 ,52			RS14DB3D471JTE	FL-PROOF RS 470 J 2W		
R53 ,54			RS14DB3D272JTE	FL-PROOF RS 2.7K J 2W		
R55 -57			RS14DB3D222JTE	FL-PROOF RS 2.2K J 2W		
VR1			R06-5134-05	POTENTIOMETER(200K B)(BALANCE)		
VR2 ,3			R06-3048-05	POTENTIOMETER(10K B)(BAS, TRE)		
VR4		*	R06-5179-05	POTENTIOMETER(100KX2)(VOLUME)		
S1 ,2			S40-4074-05	PUSH SWITCH		
S3			S40-2351-05	PUSH SWITCH		
D1 ,2			HZS16N(B2)	ZENER DIODE		
D1 ,2			RD16ES(B2)	ZENER DIODE		
IC1			NJM4565D-D	IC(OP AMP X2)		

E: Europe K: USA P: Canada
 Y: PX (Far East, Hawaii) T: England M: Other Areas
 Y: AAFES (Europe) X: Australia E2: Scandinavia

⚠ indicates safety critical components.

KA-4020

SPECIFICATIONS

Power Output

60 watts per channel minimum RMS, both channels driven at 8 Ω from 20 Hz to 20,000 Hz with no more than 0.05% total harmonic distortion

Dynamic power	90 W (8 Ω), 120 W (4 Ω), 140 W (2 Ω)
Maximum continuous power output (DIN) at 4 Ω	100 W + 100 W
Maximum continuous power output (DIN) at 8 Ω	75 W + 75 W
Maximum continuous power output (IEC/NF) at 8 Ω	75 W + 75 W
Total Harmonic distortion	
(20 Hz — 20,000 Hz, 8 Ω)	0.05%
(1 kHz, 8 Ω)	0.005%
Frequency response	5 Hz — 100 kHz, +0 dB, —3 dB
Phono frequency response (RIAA)	20 Hz — 20 kHz, \pm 0.3 dB
Signal to noise ratio	
PHONO (MM)	87 dB (IHF'66)/80 dB (IHF'78)
PHONO (MC)	67 dB (IHF'66)/74 dB (IHF'78)
TUNER/CD/AUX/TAPE	106 dB (IHF'66)/82 dB (IHF'78)
Signal to noise ratio at unweighted, 50 mW output (DIN)	
PHONO (MM)	60 dB
TUNER/CD/AUX/TAPE	60 dB
Input sensitivity/impedance	
PHONO (MM)	2.5 mV/47 k Ω
PHONO (MC)	200 μ V/100 Ω
TUNER/CD/AUX/TAPE	200 mV/47 k Ω
Phono maximum input level	
MM	130 mV (1 kHz, 0.05%)
MC	10 mV (1 kHz, 0.05%)
Phono input capacity (DIN)	150 pF
Output level/impedance	
TAPE REC	200 mV/220 Ω
Tone control	
BASS	\pm 10 dB (100 Hz)
TREBLE	\pm 10 dB (10 kHz)
Loudness control (volume at —30 dB level)	+6 dB (100 Hz)
	+3 dB (10 kHz)
Damping factor	65 (50 Hz)

General

Power consumption	2.5 A/200 W
Dimensions	W: 440 mm (17-5/16") H: 138 mm (5-7/16") D: 349 mm (13-3/4")
Weight (Net)	8.3 kg (18.3 lb)

Kenwood follows a policy of continuous advancements in development.
For this reason specifications may be changed without notice.

Kenwood poursuit une politique de progrès constants en ce qui concerne le développement.
Pour cette raison, les spécifications sont sujettes à modifications sans préavis.

Kenwood strebt ständige Verbesserungen in der Entwicklung an.
Daher bleiben Änderungen der technischen Daten jederzeit vorbehalten.

Note:

Component and circuitry are subject to modification to insure best operation under differing local conditions. This manual is based on the general market (M) standard, and provides information on regional circuit modification through use of alternate schematic diagrams, and information on regional component variations through use of parts list.

KENWOOD CORPORATION

Shionogi Shibuya Building, 17-5, 2-chome Shibuya, Shibuya-ku, Tokyo 150, Japan

KENWOOD U.S.A. CORPORATION

2201 East Dominguez Street, Long Beach, CA 90810;

550 Clark Drive, Mount Olive, NJ 07828, U.S.A.

KENWOOD ELECTRONICS CANADA INC.

P.O. BOX 1075, 959 Gana Court, Mississauga, Ontario, Canada L4T 4C2

TRIO-KENWOOD U.K. LIMITED

KENWOOD House, Dwight Road, Watford, Herts., WD1 8EB United Kingdom

KENWOOD ELECTRONICS BENELUX N.V.

Mechelsesteenweg 418 B-1930 Zaventem, Belgium

KENWOOD ELECTRONICS DEUTSCHLAND GMBH

Rembrücker-Str. 15, 6056 Heusenstamm, West Germany

TRIO-KENWOOD FRANCE S.A.

13 Boulevard Ney, 75018 Paris, France

KENWOOD LINEAR S.p.A.

20125, MILANO-VIA ARBE, 50, ITALY

KENWOOD ELECTRONICS AUSTRALIA PTY. LTD. (INCORPORATED IN N.S.W.)

4E Woodcock Place, Lane Cove, N.S.W. 2066, Australia

KENWOOD & LEE ELECTRONICS, LTD.

Wang Kee Building, 4th Floor, 34-37, Connaught Road, Central, Hong Kong

SPECIFICATIONS

Power Output

60 watts per channel minimum RMS, both channels driven at 8 Ω from 20 Hz to 20,000 Hz with no more than 0.05% total harmonic distortion

Dynamic power.....	90 W (8 Ω), 120 W (4 Ω), 140 W (2 Ω)
Maximum continuous power output (DIN) at 4 Ω	100 W + 100 W
Maximum continuous power output (DIN) at 8 Ω	75 W + 75 W
Maximum continuous power output (IEC/NF) at 8 Ω	75 W + 75 W
Total Harmonic distortion	
(20 Hz — 20,000 Hz, 8 Ω).....	0.05%
(1 kHz, 8 Ω).....	0.005%
Frequency response.....	5 Hz — 100 kHz, +0 dB, —3 dB
Phono frequency response (RIAA).....	20 Hz — 20 kHz, \pm 0.3 dB
Signal to noise ratio	
PHONO (MM).....	87 dB (IHF'66)/80 dB (IHF'78)
PHONO (MC).....	67 dB (IHF'66)/74 dB (IHF'78)
TUNER/CD/AUX/TAPE.....	106 dB (IHF'66)/82 dB (IHF'78)
Signal to noise ratio at unweighted, 50 mW output (DIN)	
PHONO (MM).....	60 dB
TUNER/CD/AUX/TAPE.....	60 dB
Input sensitivity/impedance	
PHONO (MM).....	2.5 mV/47 k Ω
PHONO (MC).....	200 μ V/100 Ω
TUNER/CD/AUX/TAPE.....	200 mV/47 k Ω
Phono maximum input level	
MM.....	130 mV (1 kHz, 0.05%)
MC.....	10 mV (1 kHz, 0.05%)
Phono input capacity (DIN).....	150 pF
Output level/impedance	
TAPE REC.....	200 mV/220 Ω
Tone control	
BASS.....	\pm 10 dB (100 Hz)
TREBLE.....	\pm 10 dB (10 kHz)
Loudness control (volume at —30 dB level).....	+6 dB (100 Hz) +3 dB (10 kHz)
Damping factor.....	65 (50 Hz)

General

Power consumption.....	2.5 A/200 W
Dimensions.....	W: 440 mm (17-5/16") H: 138 mm (5-7/16") D: 349 mm (13-3/4")
Weight (Net).....	8.3 kg (18.3 lb)

Kenwood follows a policy of continuous advancements in development.
For this reason specifications may be changed without notice.

Kenwood poursuit une politique de progrès constants en ce qui concerne le développement.
Pour cette raison, les spécifications sont sujettes à modifications sans préavis.

Kenwood strebt ständige Verbesserungen in der Entwicklung an.
Daher bleiben Änderungen der technischen Daten jederzeit vorbehalten.

Note:

Component and circuitry are subject to modification to insure best operation under differing local conditions. This manual is based on the general market (M) standard, and provides information on regional circuit modification through use of alternate schematic diagrams, and information on regional component variations through use of parts list.

KENWOOD CORPORATION

Shionogi Shibuya Building, 17-5, 2-chome Shibuya, Shibuya-ku, Tokyo 150, Japan

KENWOOD U.S.A. CORPORATION

2201 East Dominguez Street, Long Beach, CA 90810;
550 Clark Drive, Mount Olive, NJ 07828, U.S.A.

KENWOOD ELECTRONICS CANADA INC.

P.O. BOX 1075, 959 Gana Court, Mississauga, Ontario, Canada L4T 4C2

TRIO-KENWOOD U.K. LIMITED

KENWOOD House, Dwight Road, Watford, Herts., WD1 8EB United Kingdom

KENWOOD ELECTRONICS BENELUX N.V.

Mechelsesteenweg 418 B-1930 Zaventem, Belgium

KENWOOD ELECTRONICS DEUTSCHLAND GMBH

Rembrücker-Str. 15, 6056 Heusenstamm, West Germany

TRIO-KENWOOD FRANCE S.A.

13 Boulevard Ney, 75018 Paris, France

KENWOOD LINEAR S.p.A.

20125, MILANO-VIA ARBE, 50, ITALY

KENWOOD ELECTRONICS AUSTRALIA PTY. LTD. (INCORPORATED IN N.S.W.)

4E Woodcock Place, Lane Cove, N.S.W. 2066, Australia

KENWOOD & LEE ELECTRONICS, LTD.

Wang Kee Building, 4th Floor, 34-37, Connaught Road, Central, Hong Kong